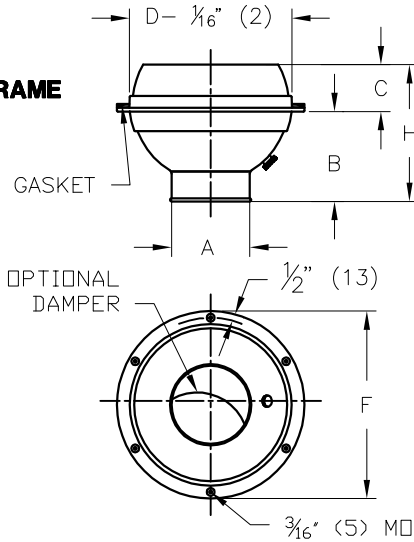


ND - AIR NOZZLE DIFFUSERS

SM FRAME



| SIZE | A | B | C | D | F | H | Mtg Holes |
|------|--------|--------|--------|----|----|--------|-----------|
| * 3 | 1 5/8 | 1 3/4 | 1 5/16 | 3 | 5 | 2 1/16 | 3 |
| 4 | 2 | 2 9/16 | 3/4 | 4 | 6 | 3 5/16 | 3 |
| 6 | 3 | 3 1/16 | 1 7/16 | 6 | 8 | 4 1/2 | 4 |
| 8 | 4 3/8 | 4 1/4 | 1 3/4 | 8 | 10 | 6 | 4 |
| 10 | 5 3/4 | 5 1/2 | 2 7/8 | 10 | 12 | 8 3/8 | 6 |
| 12 | 7 3/8 | 6 | 3 | 12 | 14 | 9 | 6 |
| 14 | 8 5/8 | 7 7/8 | 4 1/8 | 14 | 16 | 11 1/4 | 6 |
| 16 | 9 3/4 | 8 1/4 | 4 3/4 | 16 | 18 | 13 | 6 |
| 18 | 10 1/2 | 9 1/2 | 4 1/4 | 18 | 20 | 13 3/4 | 8 |
| 20 | 12 3/8 | 10 7/8 | 4 7/8 | 20 | 22 | 15 3/4 | 8 |

* DAMPER NOT AVAILABLE ON 3" UNIT

MATERIAL :

- ALUMINUM CONSTRUCTION

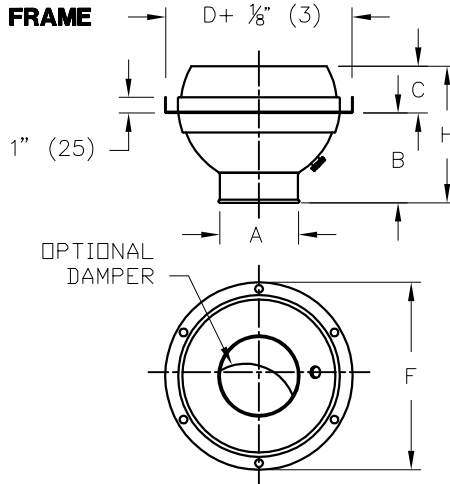
OPTION:

- SM FRAME - WALL / CEILING MOUNT
- RD FRAME - EXPOSED ROUND DUCT
- RR FRAME - ROUND REDUCER

FINISH :

- B12 WHITE (STANDARD)
(OPTIONAL FINISHES AVAILABLE)

RD FRAME

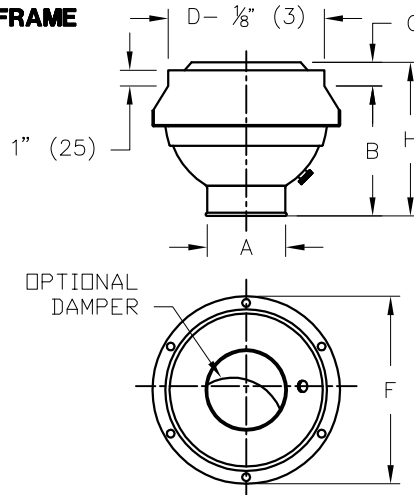


| SIZE | A | B | C | D | F | H |
|------|--------|--------|--------|----|----|--------|
| 4 | 2 | 2 9/16 | 3/4 | 6 | 6 | 3 5/16 |
| 6 | 3 | 3 1/16 | 1 7/16 | 8 | 8 | 4 1/2 |
| 8 | 4 3/8 | 4 1/4 | 1 3/4 | 10 | 10 | 6 |
| 10 | 5 3/4 | 5 1/2 | 2 7/8 | 12 | 12 | 8 3/8 |
| 12 | 7 3/8 | 6 | 3 | 14 | 14 | 9 |
| 14 | 8 5/8 | 7 7/8 | 4 1/8 | 16 | 16 | 11 1/4 |
| 16 | 9 3/4 | 8 1/4 | 4 3/4 | 18 | 18 | 13 |
| 18 | 10 1/2 | 9 1/2 | 4 1/4 | 20 | 20 | 13 3/4 |
| 20 | 12 3/8 | 10 7/8 | 4 7/8 | 22 | 22 | 15 3/4 |

NOTES:

- DIRECTIONAL AIR PATTERN CONTROL
- ± 35° DEFLECTION
- 360° ROTATION
- AVAILABLE SIZES : MIN. 6", MAX. 20"
2" INCREMENTS
- OPTIONAL APERTURE STYLE DAMPER
- 3 MOUNTING FRAMES
- FACTORY TOLERANCE ± 1/16" (2)

RR FRAME



| SIZE | A | B | C | D | F | H |
|------|--------|--------|-------|----|----|--------|
| 6 | 3 | 5 9/16 | 1 | 6 | 8 | 6 9/16 |
| 8 | 4 3/8 | 6 3/4 | 1 | 8 | 10 | 7 3/4 |
| 10 | 5 3/4 | 8 | 1 | 10 | 12 | 9 |
| 12 | 7 3/8 | 8 1/2 | 1 | 12 | 14 | 9 1/2 |
| 14 | 8 5/8 | 9 5/8 | 1 5/8 | 14 | 16 | 11 1/4 |
| 16 | 9 3/4 | 10 3/4 | 2 1/4 | 16 | 18 | 13 |
| 18 | 10 1/2 | 12 | 1 3/4 | 18 | 20 | 13 3/4 |
| 20 | 12 3/8 | 13 3/8 | 2 3/8 | 20 | 22 | 15 3/4 |

ALL METRIC DIMENSIONS () ARE SOFT CONVERTED. IMPERIAL DIMENSIONS ARE CONVERTED TO METRIC AND ROUNDED TO THE NEAREST MILLIMETER.

| | | | |
|------------------------|----------------------|---------------|--|
| PROJECT: | | PRICE® | |
| ENGINEER: | | <i>mg</i> | ND SERIES AIR NOZZLE DIFFUSERS |
| CUSTOMER: | | | |
| SUBMITTAL DATE: | SPEC. SYMBOL: | 2013/12/10 | |